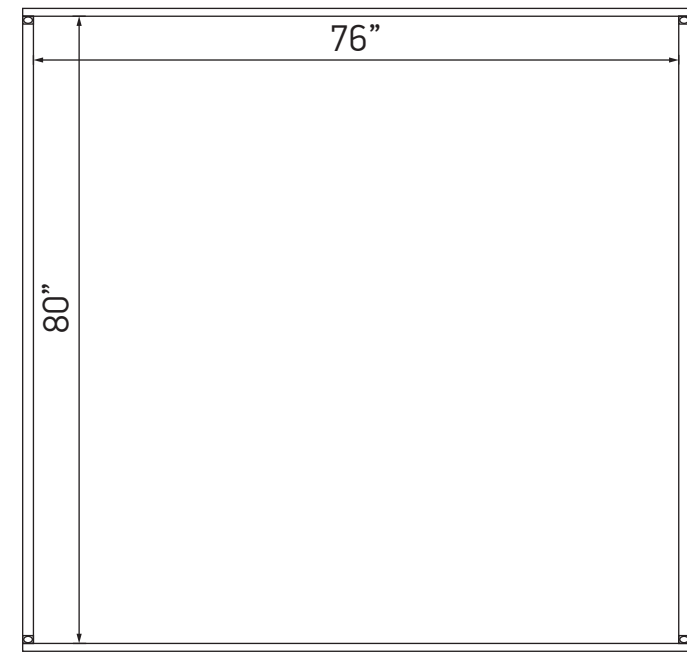
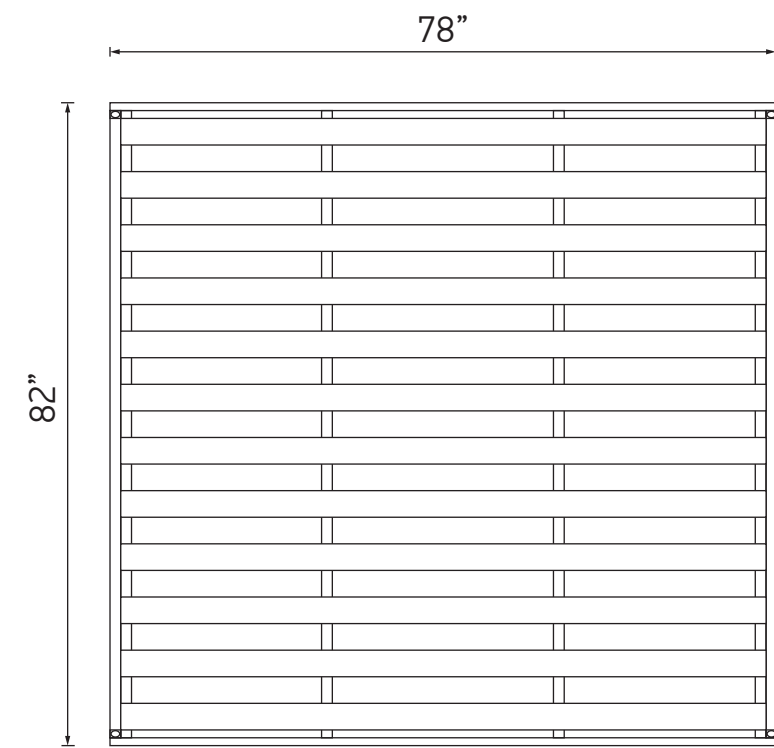


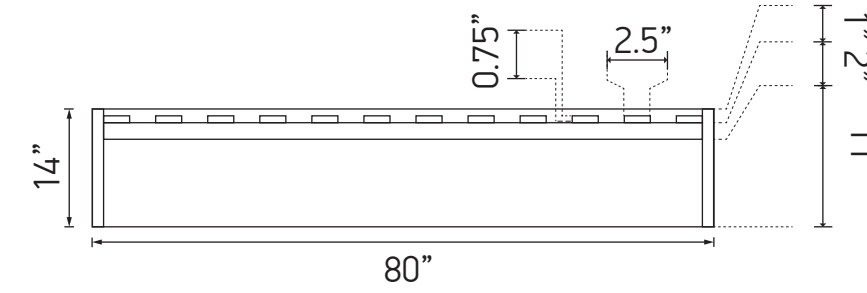
Interior Dimensions.



Exterior Dimensions.



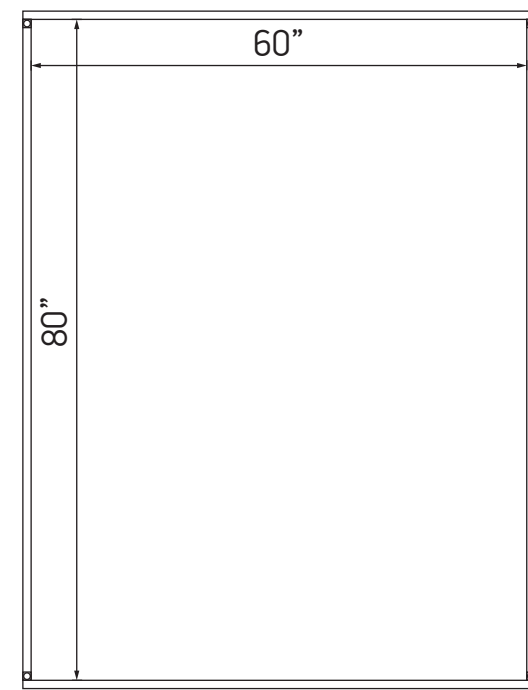
Slat Support Dimensions.



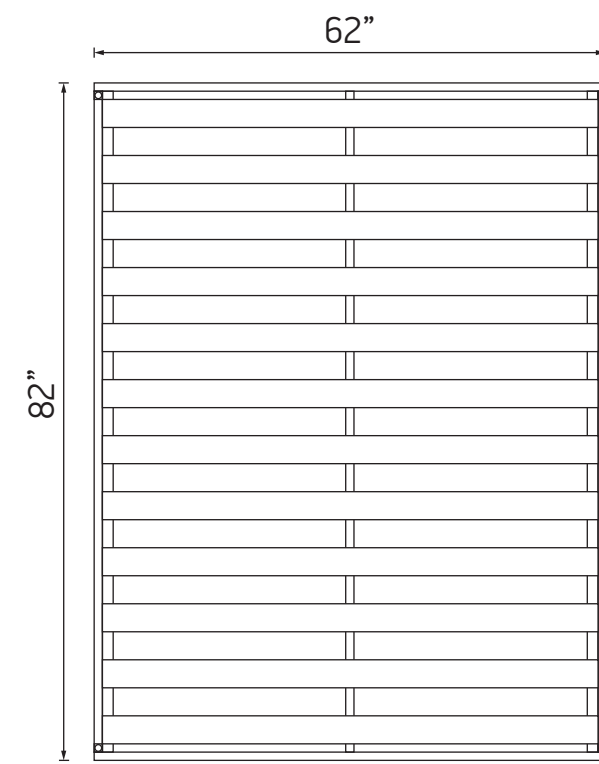
## King Size Platform Bed Specifications

2 R/L Panels	L80" x H14" x D1"
2 F/B Panels	L78" x H14" x D1"
2 Support Beams	L80" x H13" x D1"
12 Wooden Slats	L75.8" x W2.5" x H.75"
Outside Dimensions	W78" x L82" x H14"
Inside Dimensions	W76" x L80" x H14"
Construction	Plywood, High Density Foam, Cover Material
Weight Capacity	1200 LB

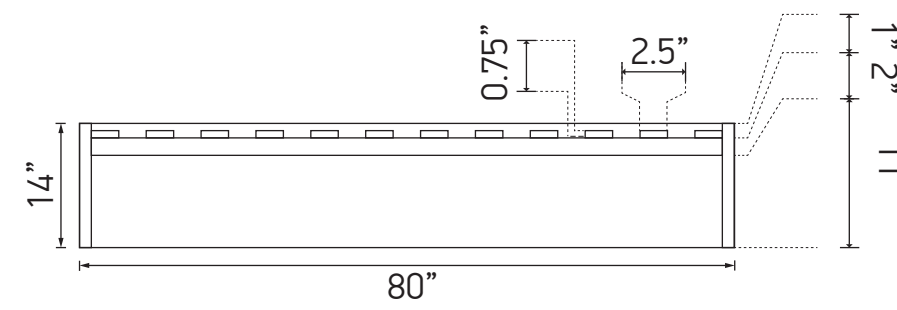
Interior Dimensions.



Exterior Dimensions.



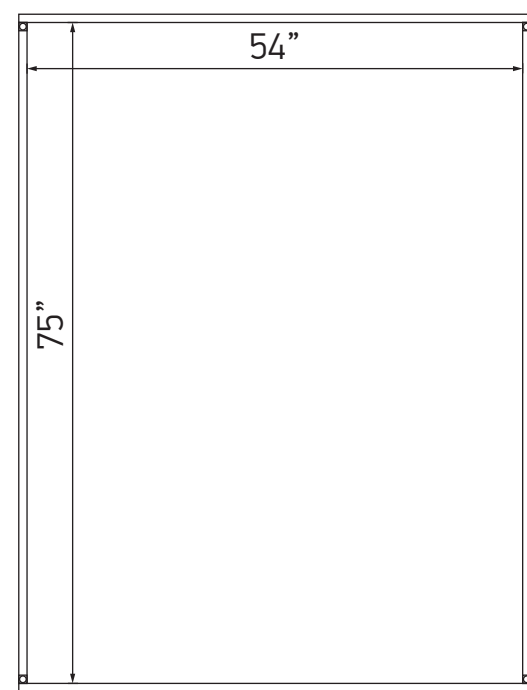
Slat Support Dimensions.



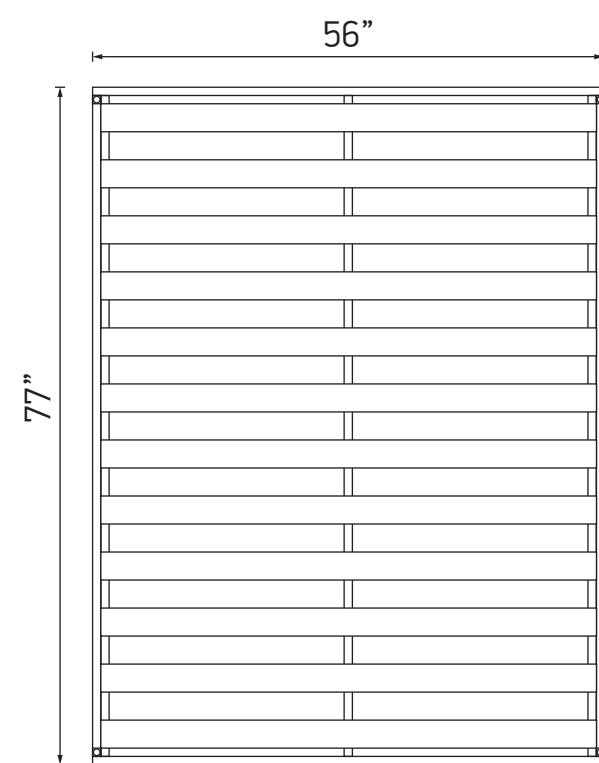
## Queen Size Platform Bed Specifications

2 R/L Panels	L80" x H14" x D1"
2 F/B Panels	L62" x H14" x D1"
1 Support Beam	L80" x H13" x D1"
12 Wooden Slats	L59.8" x W2.5" x H.75"
Outside Dimensions	W62" x L82" x H14"
Inside Dimensions	W60" x L80" x H14"
Construction	Plywood, High Density Foam, Cover Material
Weight Capacity	1000 LB

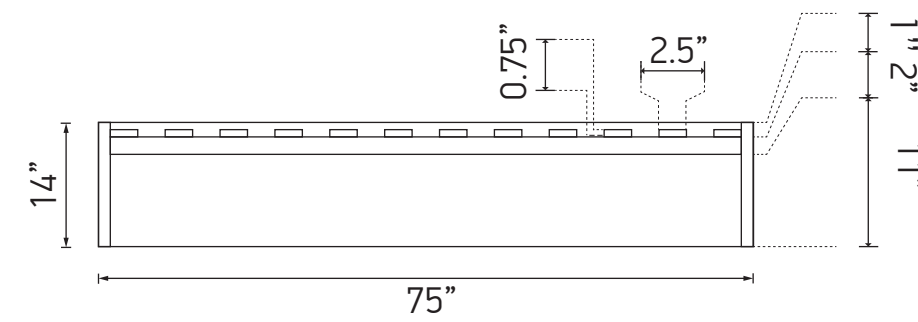
Interior Dimensions.



Exterior Dimensions.



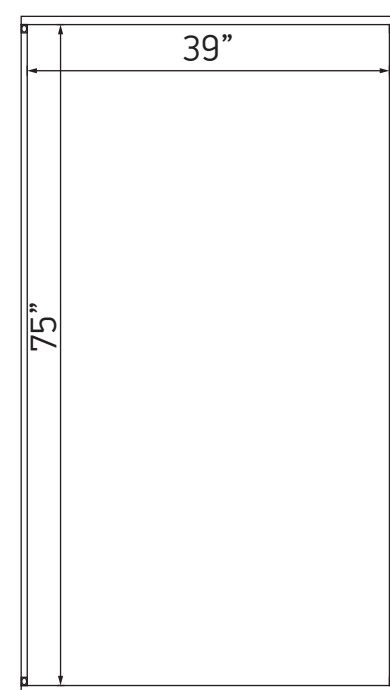
Slat Support Dimensions.



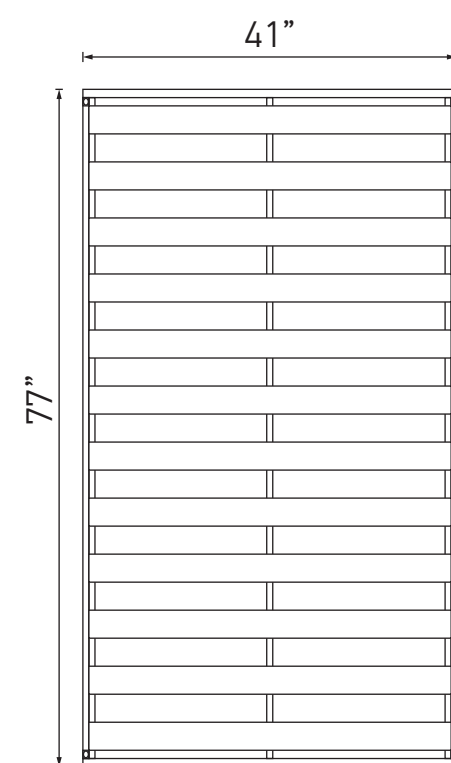
## Full Size Platform Bed Specifications

2 R/L Panels	L75" x H14" x D1"
2 F/B Panels	L56" x H14" x D1"
1 Support Beam	L75" x H13" x D1"
12 Wooden Slats	L53.8" x W2.5" x H.75"
Outside Dimensions	W56" x L77" x H14"
Inside Dimensions	W54" x L75" x H14"
Construction	Plywood, High Density Foam, Cover Material
Weight Capacity	1000 LB

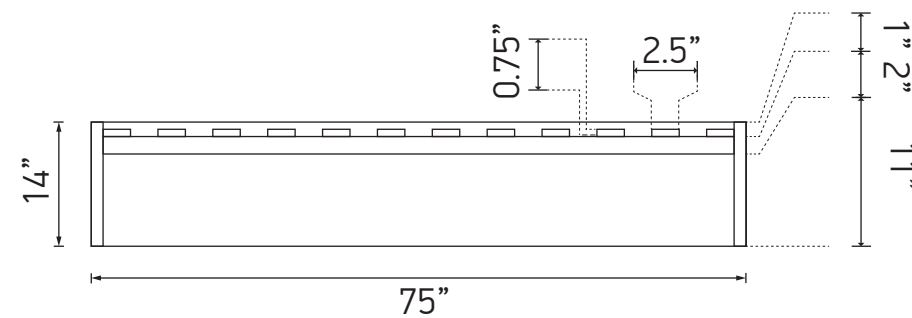
Interior Dimensions.



Exterior Dimensions.



Slat Support Dimensions.



## Twin Size Platform Bed Specifications

2 R/L Panels	L75" x H14" x D1"
2 F/B Panels	L41" x H14" x D1"
12 Wooden Slats	L38.8" x W2.5" x H.75"
Outside Dimensions	W41" x L77" x H14"
Inside Dimensions	W39" x L75" x H14"
Construction	Plywood, High Density Foam, Cover Material
Weight Capacity	600 LB